

ABLOY® PROTEC Europrofile DIN cylinders



ABLOY® PROTEC is the culmination of 90 years of world-leading development of the rotating disc cylinder.

ABLOY® PROTEC Europrofile DIN cylinders

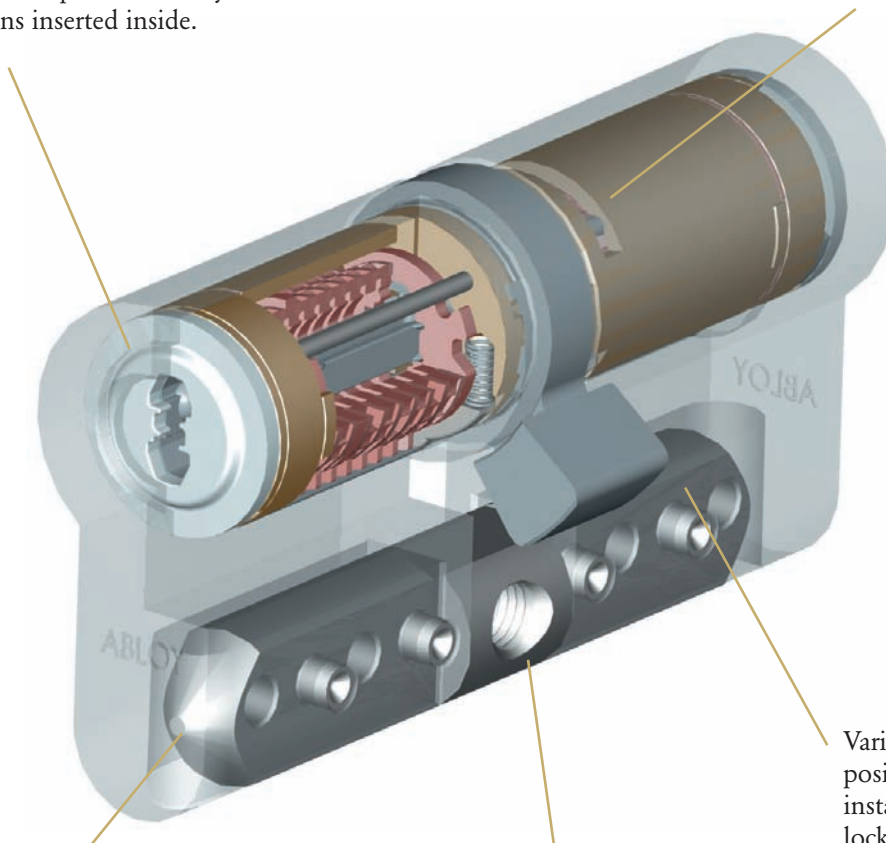
□ Excellent physical security features

□ Flexibility in installation

Emergency function as an option:

- the lock can always be opened with key from outside even if a key remains inserted inside.

Cylinder length easily adjustable even during the installation by extension piece system.



Available with case-hardened steel cylinder
- maximum burglary resistance
(EN1303 grade 5).

Various possible cam positions to allow installation with different lock cases.

Stainless steel connection bar.

ALL THE SUPERIOR ADVANTAGES OF ABLOY® PROTEC KEY SYSTEM INCLUDED

□ widely patented 2R™ cylinder and key system:
key cuts on two radii

□ proven wear resistance

□ convenient reversible key

□ wide range of products that can be keyed into the same masterkey systems using one key profile

□ extreme picking resistance

□ unique DBS™ (disc blocking system)

□ ergonomically designed key with colour inserts

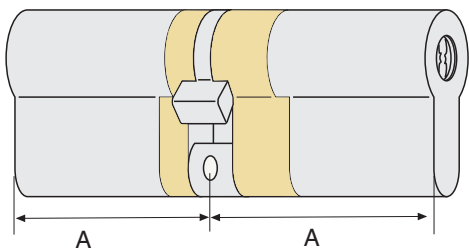


FLEXIBILITY IN INSTALLATION

Extension piece system

The modular extension piece system enables the easy adjustment of the cylinder length even during the installation.

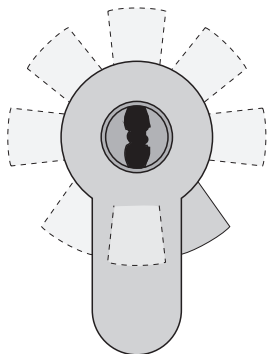
Cylinder length is adjustable in 5 mm increments from 31 to 81 mm and in 10 mm increments until 131 mm.



A = 31 (basic length without extension)

36	61	91
41	66	101
46	71	111
51	76	121
56	81	131

Cam positions



Easily adjustable cam enable eight possible cam positions to allow different lock case functions.

ABLOY® PROTEC

Europrofile DIN cylinders are used in lockcases conforming to DIN Standard 18251.

CONSTRUCTION

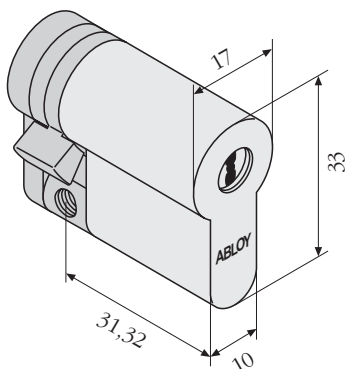
Cylinder housing	Brass
- in CY331, CY332, CY333 outside cylinder housing of case-hardened steel	
Cylinder plug	Brass
Thumbturn	Zinc
Discs and washers	Tin bronze
Number of discs	11

FINISHES AVAILABLE

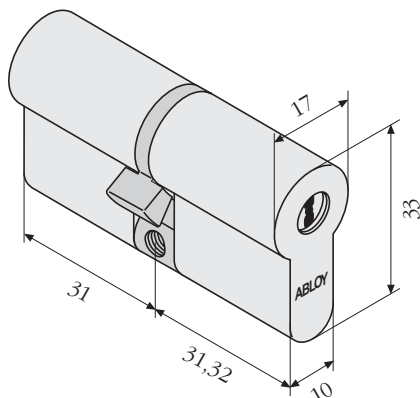
Bright chrome, satin chrome
Bright brass, satin brass

DIMENSIONS

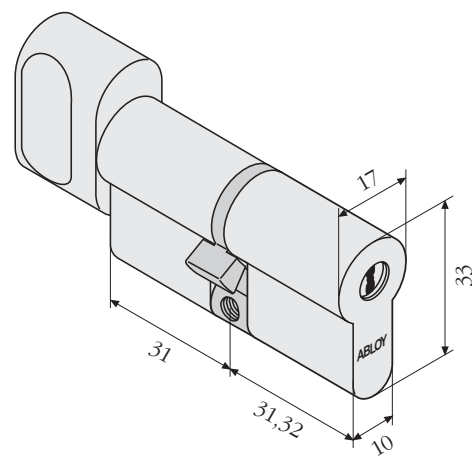
(A = 32 when cylinder of case-hardened steel)



CY321N, CY331N
Single profile cylinder



CY322N, CY332N
Double profile cylinder



CY323N, CY333N
Single profile cylinder with thumbturn

ABLOY® – the sign for security



The quality and environmental systems used by Abloy Oy guarantee that customers can be certain of **ABLOY®** quality in every field. We received our first Quality System Certificate - SFS-EN ISO 9001 - in 1989. Just eight years later, Abloy Oy was one of the first companies in Finland to be granted an SFS-EN-ISO 14001 Environmental System Certificate.

Our products are designed and manufactured not only to provide high levels of security, but also to be reliable, user-friendly and aesthetically pleasing. **ABLOY®** is your sign for security.



ABLOY® is a registered trademark of Abloy Oy, one of the leading manufacturers of locks, locking systems and architectural hardware and the world's leading developer of products in the field of electromechanical lock technology.

The unique **ABLOY®** detainer disc cylinder mechanism has several advantages over conventional locking mechanisms. Ever since its invention in 1907, it has been a symbol of high security and superior performance.

Our range consists of electromechanical locks, cam locks, padlocks, office furniture locks, rim locks, lock cases, cylinders for different types of mortice locks, door closers, door automatics and architectural hardware. **ABLOY®** locking solutions for every application are available from our world-wide network of distributors.

Customer-oriented development, combined with our long experience and extensive security expertise, mean that **ABLOY®** security solutions employ the very latest technology to meet your needs.



www.abloy.com

Abloy Oy
Wahlforssinkatu 20
P.O. Box 108
FI-80101 JOENSUU
FINLAND
Tel. +358 20 599 2501
Fax +358 20 599 2209

